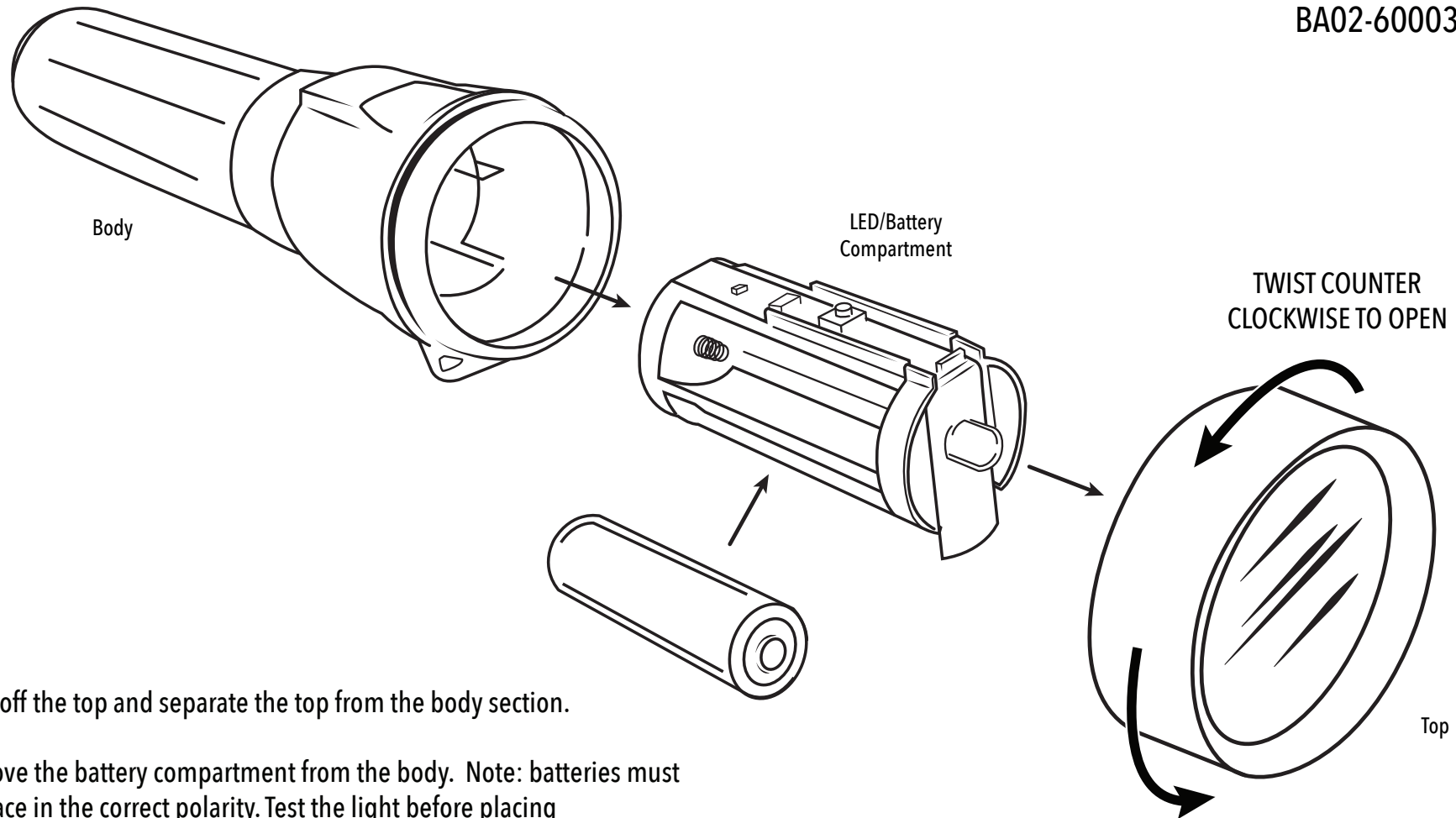




Glow Flashlight Battery Replacement

Battery Type: 3 x AA

For Model/Part#:
41-3732
BA02-60003-MT3



1. Twist off the top and separate the top from the body section.
2. Remove the battery compartment from the body. Note: batteries must be placed in the correct polarity. Test the light before placing the battery pack back in. If it does not light up, first check battery polarity.
3. After replacing batteries, install the battery pack with the circuit side lined up with the on/off button on the body. Slide in and twist on the top.