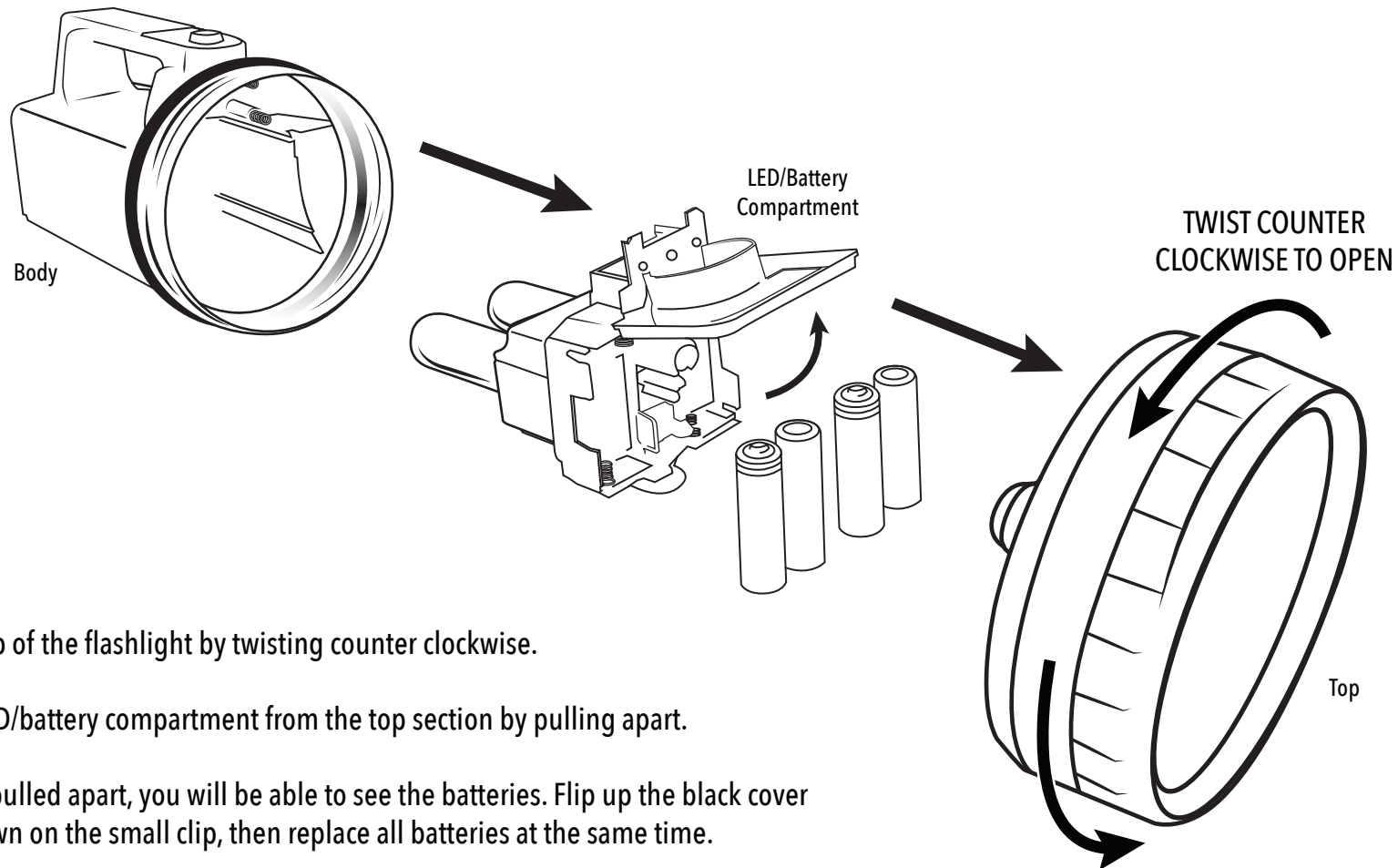


Battery Type: 4 x AAFor Model/Part#:
LG03-10161-CLE

1. Remove the top of the flashlight by twisting counter clockwise.
2. Remove the LED/battery compartment from the top section by pulling apart.
3. Once they are pulled apart, you will be able to see the batteries. Flip up the black cover by pressing down on the small clip, then replace all batteries at the same time.
4. When re-connecting the unit, you must line up the LED/battery compartment with the top and firmly press them together. You will here a pop or click sound.
5. Reinstall the unit by lining up the black button on the bulb/battery compartment with the on/off button on the flashlight body. Slide in and twist the top back on.