

# DORCY®

## ULTRA HD 650L MOTION SENSOR HEADLAMP

### Headlight Parts

**Power On/Off Switch**

High (Spot + Flood)/Medium (Spot)/ Low (Flood)/Red Light

Includes: 1200 mAh polymer Rechargeable battery



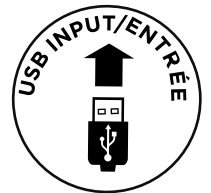
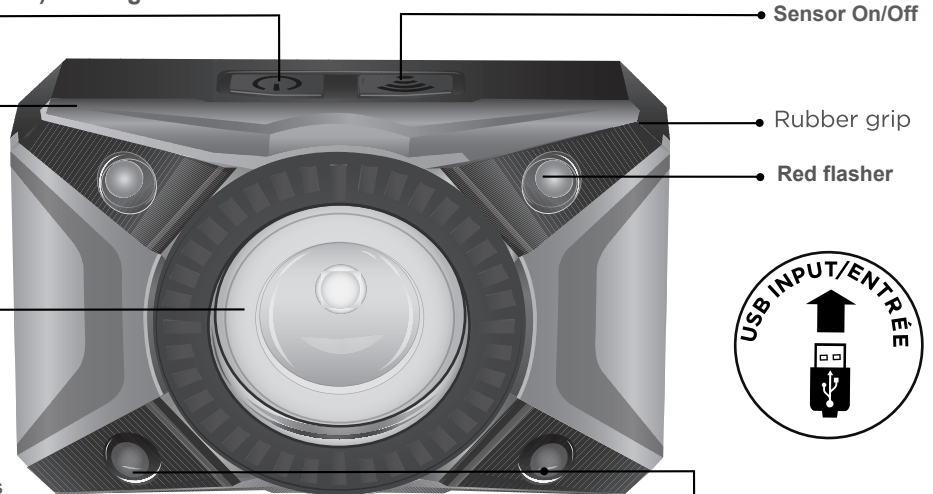
C.O.B. Flood Wide Beam Technology

**Rechargeable**

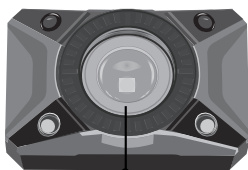
- A) Powered by lithium-ion rechargeable batteries (included 1200 mah polymer rechargeable battery) . equipped a USB cable allows for quick and convenient charging
- B) USB Input : During the charging itself ,the LED is “ Blinking Red”. Once fully charged ,it will change to “Green light on
- C) Charging time :3-4 hours

Charging indicator

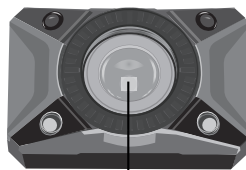
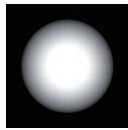
Micro USB Port(input)



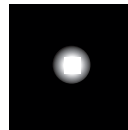
### Zoom In Operation



Flood Beam



Spot Beam



**Note**

Memory Power Setting : Stay at any mode more than 5 second ,press the buttom again to OFF mode directly

### BATTERY WARNING :

**WARNING:** This product is not a toy. Keep away from children.

**WARNING:** Do not look directly into light, eyesight damage might occur.

**BATTERY CARE:** Your product is powered by a rechargeable battery. Do not leave fully charged battery connected to charger, since this will reduce its lifetime. Leaving product in extreme cold or heat will reduce battery life. For optimal performance store product at temperatures between 59° F to 77° F. Battery performance may be reduced in temperatures well below freezing. Fully charged batteries will lose charge over time, if left unused.

**BATTERY WARNING:** Rechargeable battery is built-in. Do not attempt to remove or replace battery. The battery in this product is at risk of fire, explosion, or may cause chemical burns if mistreated.

**WARRANTY:** This product is warranted to be free from defect in material or workman ship for one year from date of purchase.

### Performance Index

FL1 STANDARD	HIGH	MEDIUM	FLOOD
	650 LUMENS	400 LUMENS	250 LUMENS
	110 m		

### Battery Charge Options

