

Notes:

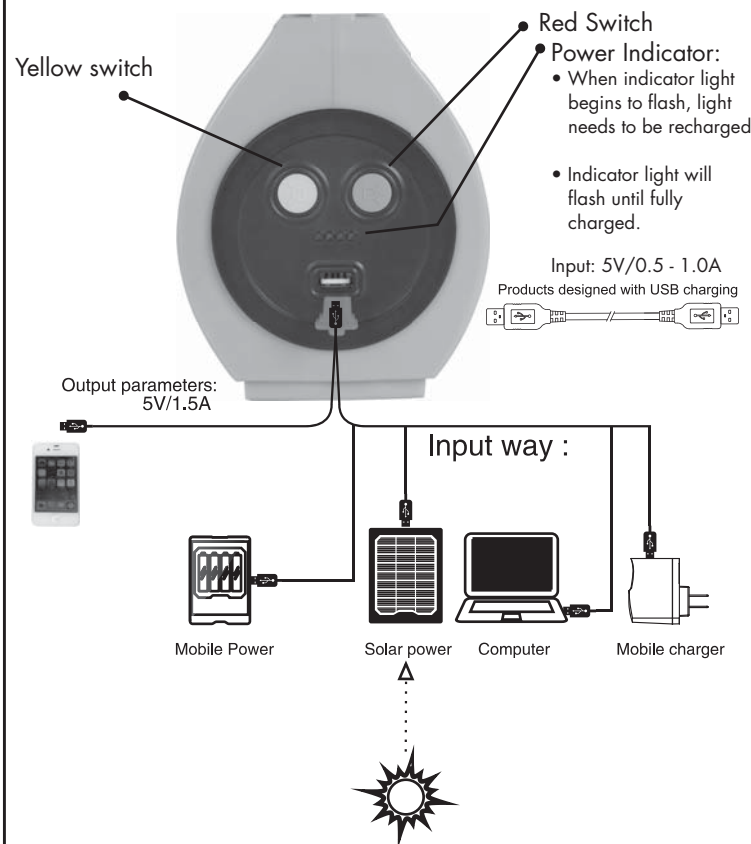
- 1. Please ensure to charge 6 - 7 hours before first time use.
- 2. Turn off light during charging in order to avoid battery damage.
- 3. For optimal use full recharge every 3 months.

Warning:

- Do not look into light, eyesight damage might occur.
- Do not dispose of in fire for risk of injury due to explosion.

5

4. Funtion of the tail



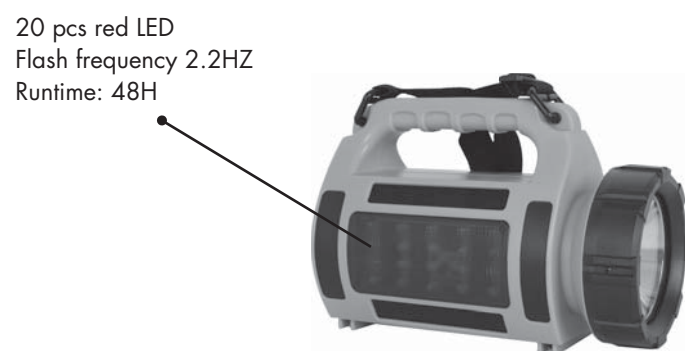
4

2. The side white light: controlled by the yellow switch (High-Low-Off)



3

3. The side warning light: controlled by the red switch (Flash-Off)



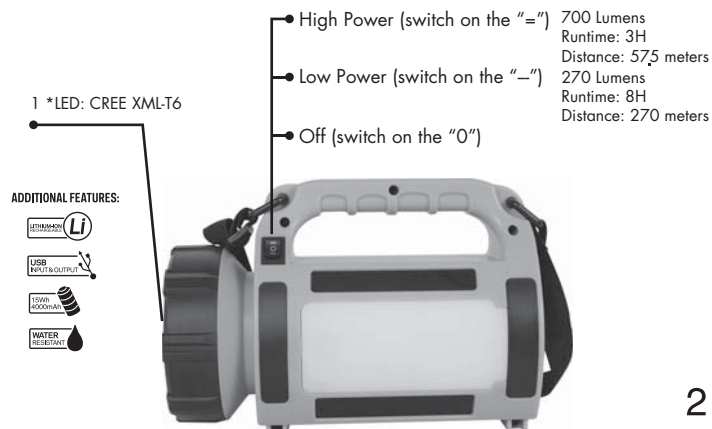
Scope of application:

Emergency lantern ideal for camping emergencies, with mobile charging capabilities.

Parameters:

- 1. Battery: 2*18650 3.7V - 4000mAh li-ion battery; charge and discharge 600 times
- 2. 1 USB Cable
- 3. 1 Strap
- 4. Instruction Manual
- 5. Material: ABS, PC
- 6. Product size: 250 x 125 x 175mm
- 7. Product weight: 850g

Rocker Switch Control (High-Low-Off)



2



41-1081



Operation Manual

1

Notes:

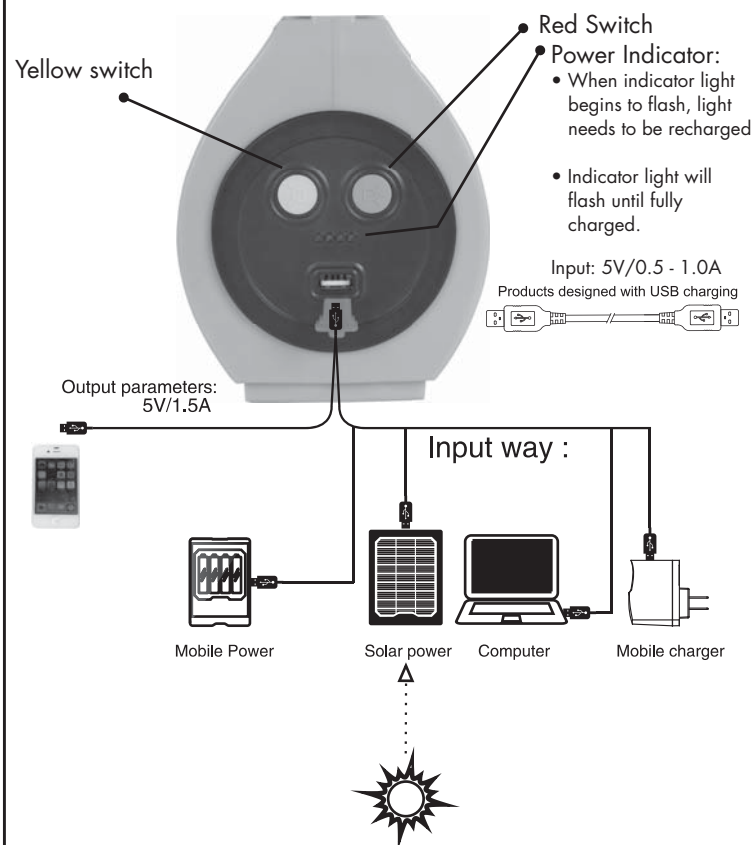
- 1. Please ensure to charge 6 - 7 hours before first time use.
- 2. Turn off light during charging in order to avoid battery damage.
- 3. For optimal use full recharge every 3 months.

Warning:

- Do not look into light, eyesight damage might occur.
- Do not dispose of in fire for risk of injury due to explosion.

5

4. Funtion of the tail



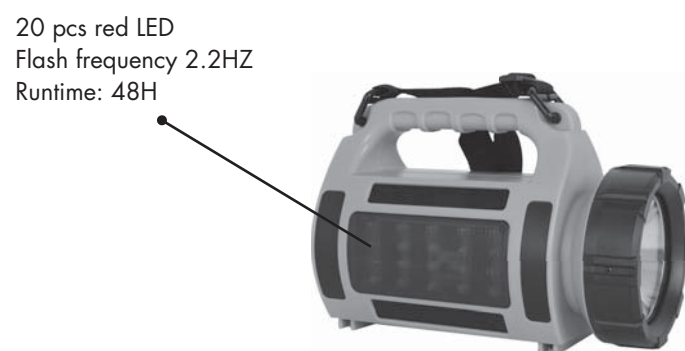
4

2. The side white light: controlled by the yellow switch (High-Low-Off)



3

3. The side warning light: controlled by the red switch (Flash-Off)



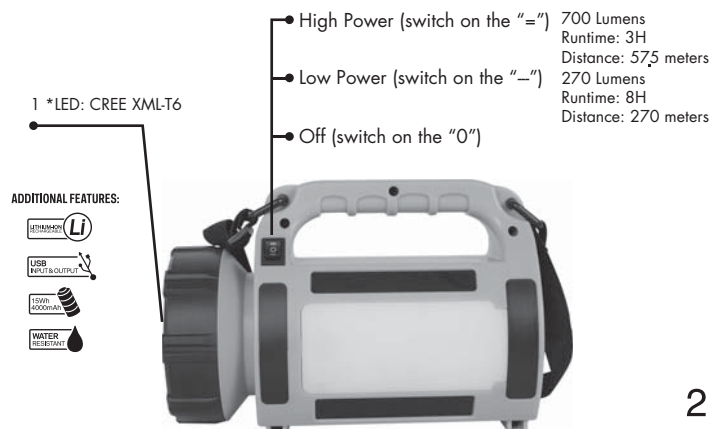
Scope of application:

Emergency lantern ideal for camping emergencies, with mobile charging capabilities.

Parameters:

- 1. Battery: 2*18650 3.7V - 4000mAh li-ion battery; charge and discharge 600 times
- 2. 1 USB Cable
- 3. 1 Strap
- 4. Instruaction Manual
- 5. Material: ABS, PC
- 6. Product size: 250 x 125 x 175mm
- 7. Product weight: 850g

Rocker Switch Control (High-Low-Off)



2



41-1081



Operation Manual

1